

Class 2 Step Down Transformer 230Vac 50/60 Hz to 24Vac 0.83A

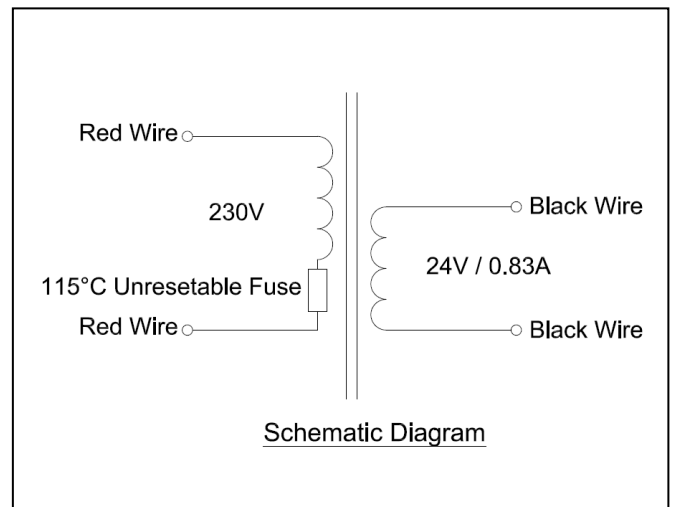
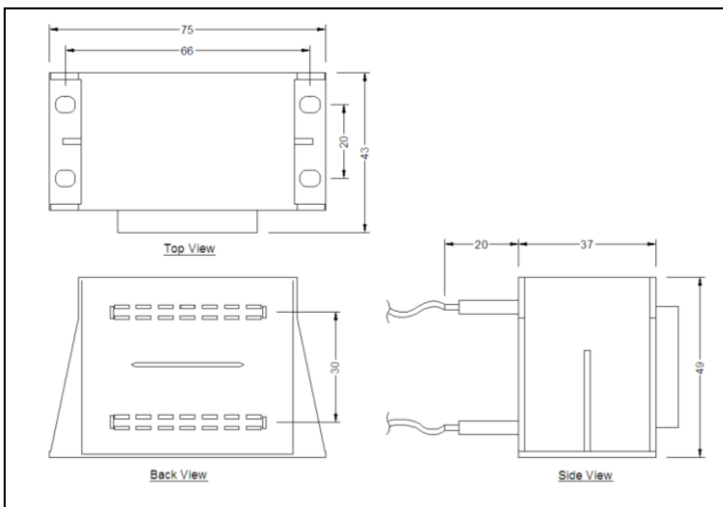
Model: BAE20F23024
Class 2 Transformer

Table of technical parameters:

Primary work voltage: 230Vac $\pm 10\%$
Work Frequency: 50/60 Hz
No-load current: $\leq 40\text{mA}$
Insulation grade: Grade B
No-load loss: $\leq 20^\circ\text{C}$
Voltage regulation: $\leq 15\%$
Weight: 450g
Dielectric strength (between primary and secondary): 3500Vac/min

Characteristic

Vacuum epoxy resin embedding
Fire resistance property in accordance with UL94-V0
Mounting height of 49mm



Electrical Symbols



Non resettable thermal fuse specification:

1. Function Temperature: 115°C
2. Holding Temperature: 85°C
3. Max. Temperature: 180°C
4. Rated Voltage: 250Vac
5. Rated Current: 1A

RoHS

RoHS (Restriction of the use of certain Hazardous Substances in electrical and electronic equipment) summarises EU directive 2011/65/EU on the prohibition of certain substances in the manufacture and processing of electrical and electronic equipment and components. This device has been tested and found to comply with the stated standard(s), which is(are) required by the Council Directive of 2011/65/EU.

ta40°C/B

The transformer's working environment should not be higher than 40°C.

The transformer insulation grade is Class B. The materials of the transformer can withstand the temperature of not higher than 130°C.



Non-short circuit-proof safety isolating transformer.

HIPOT TEST 3.5KV